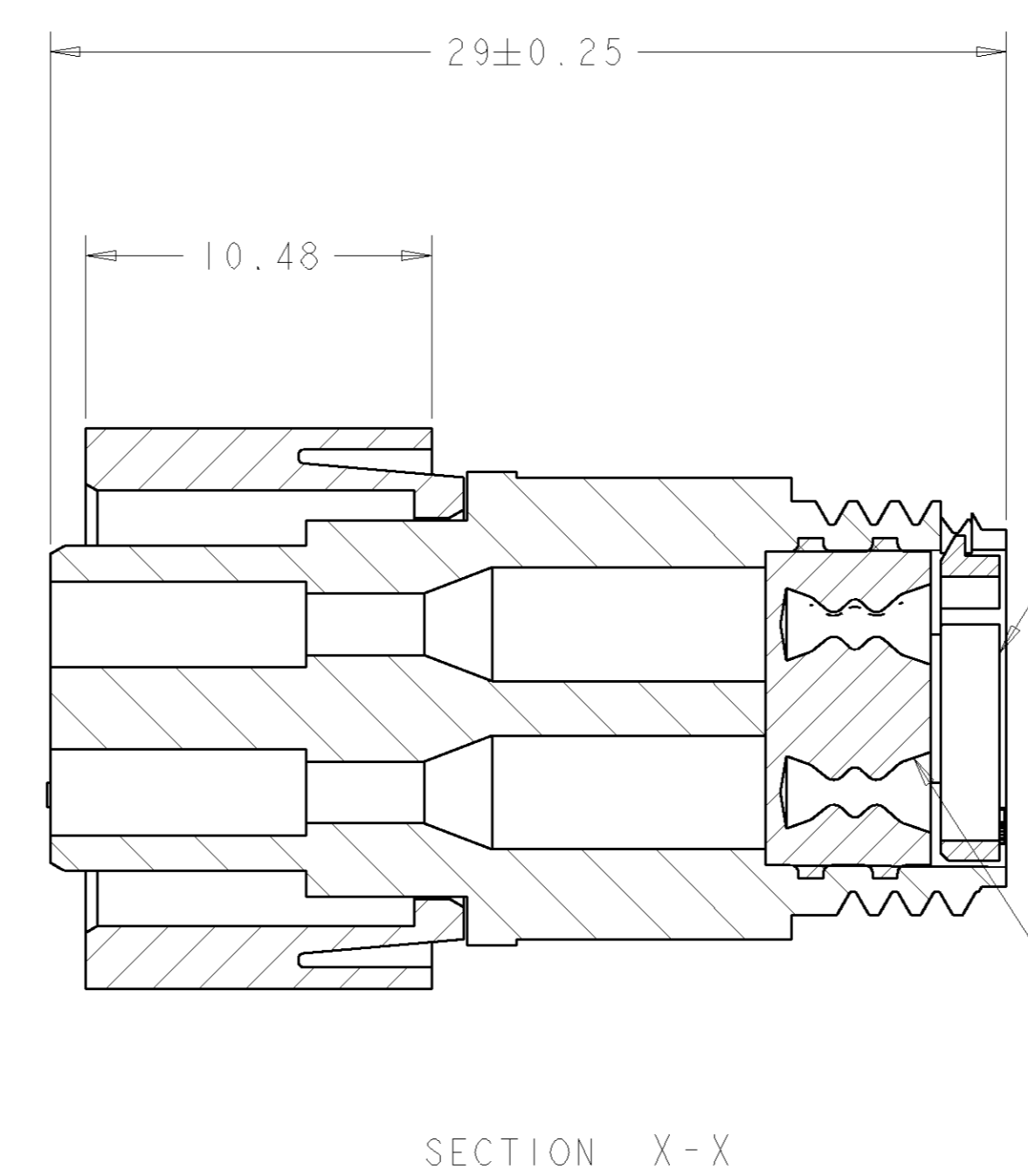
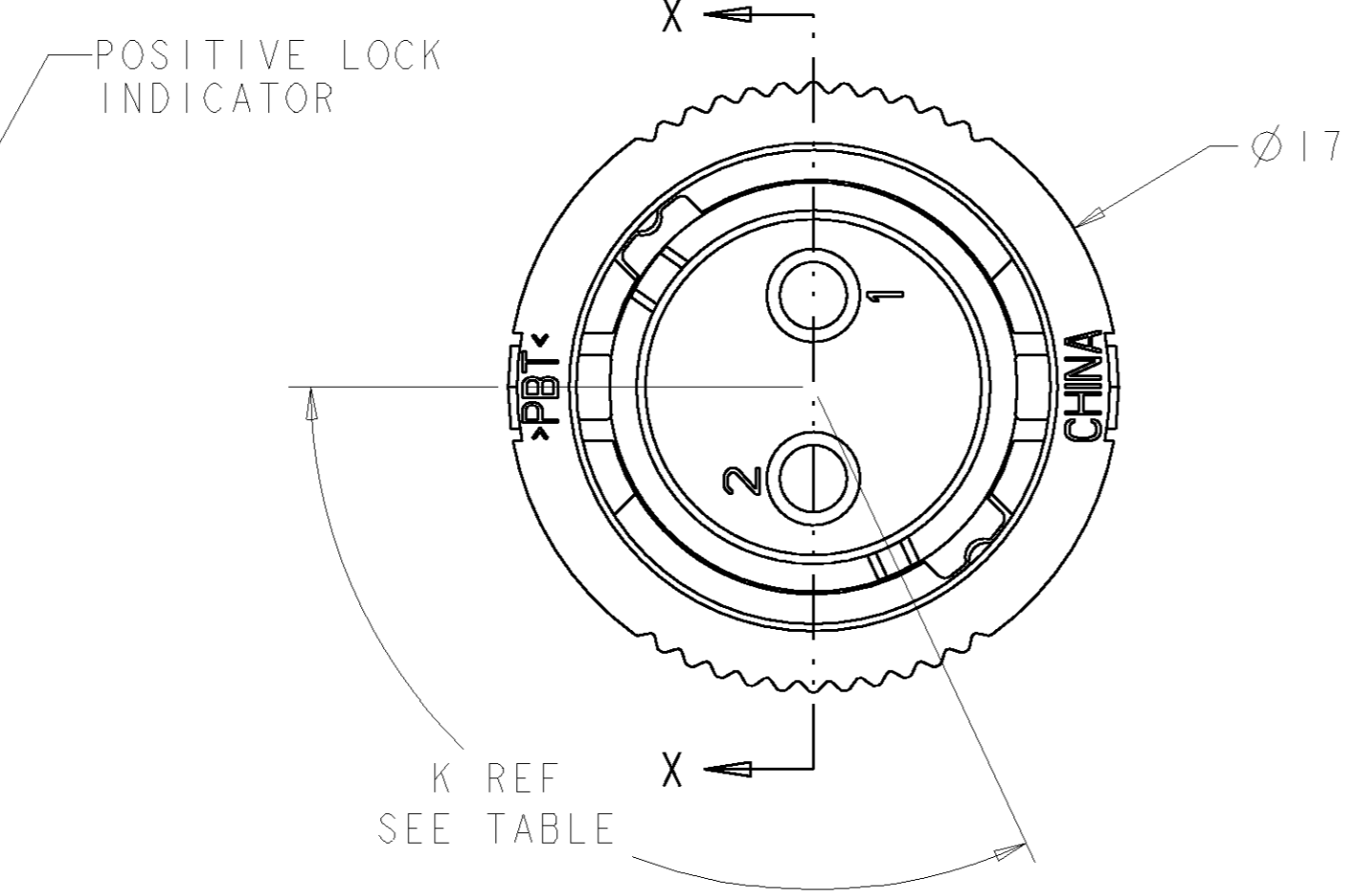
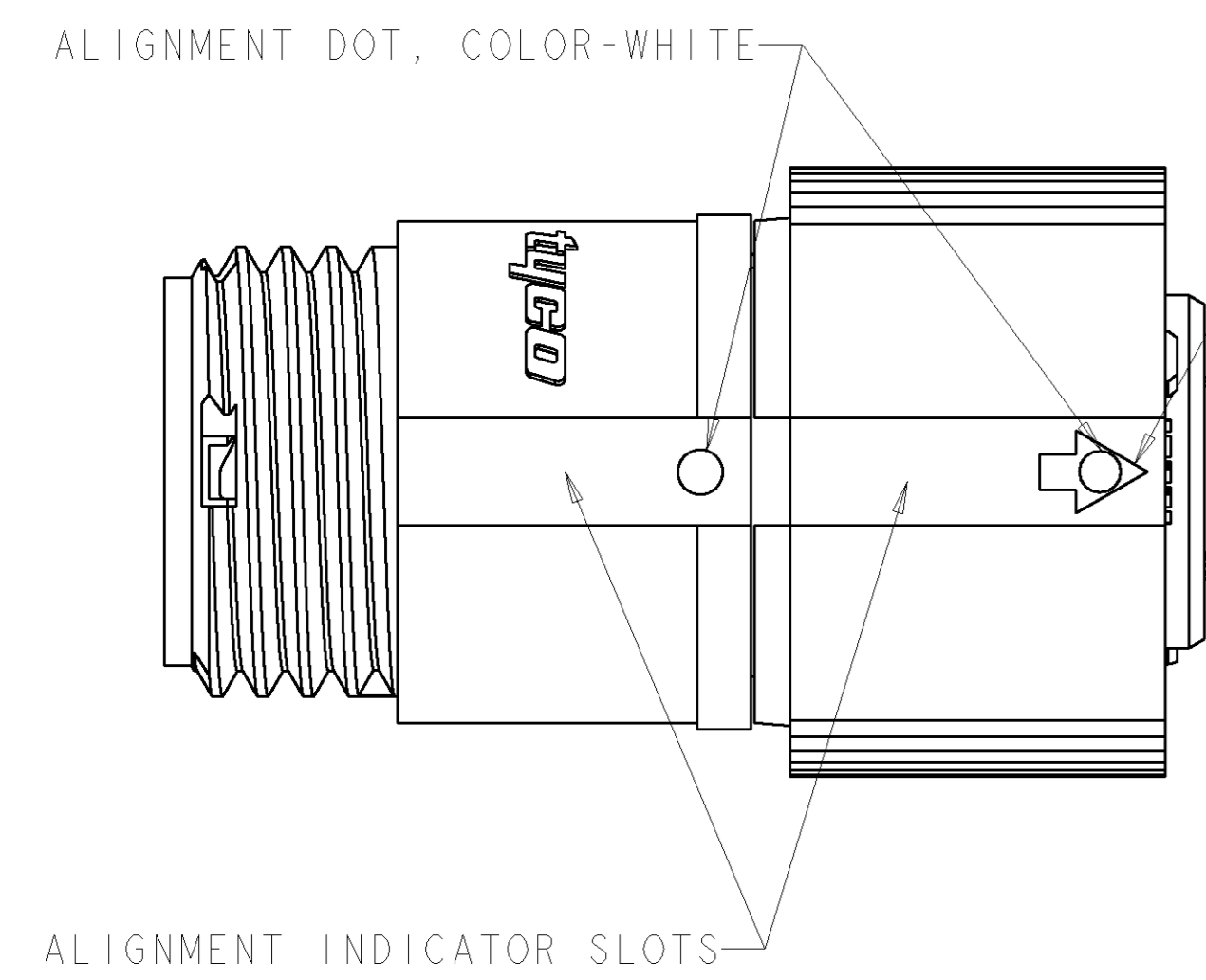
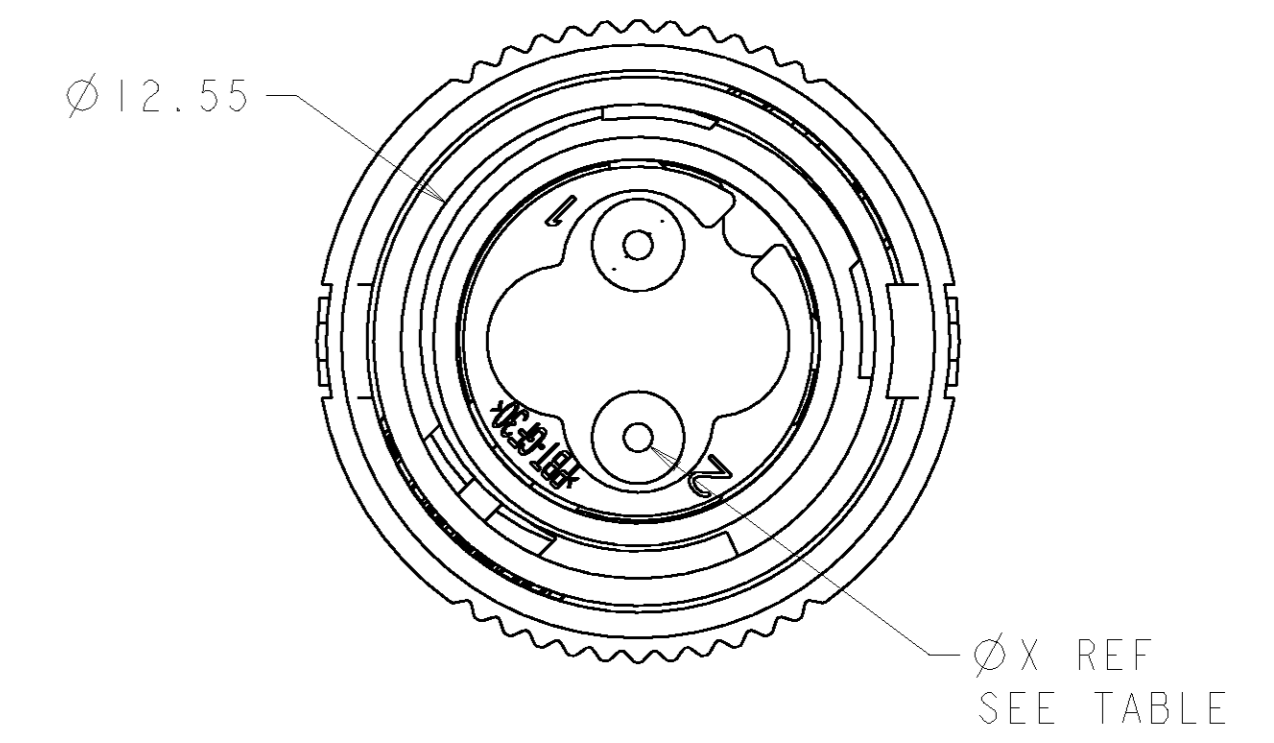


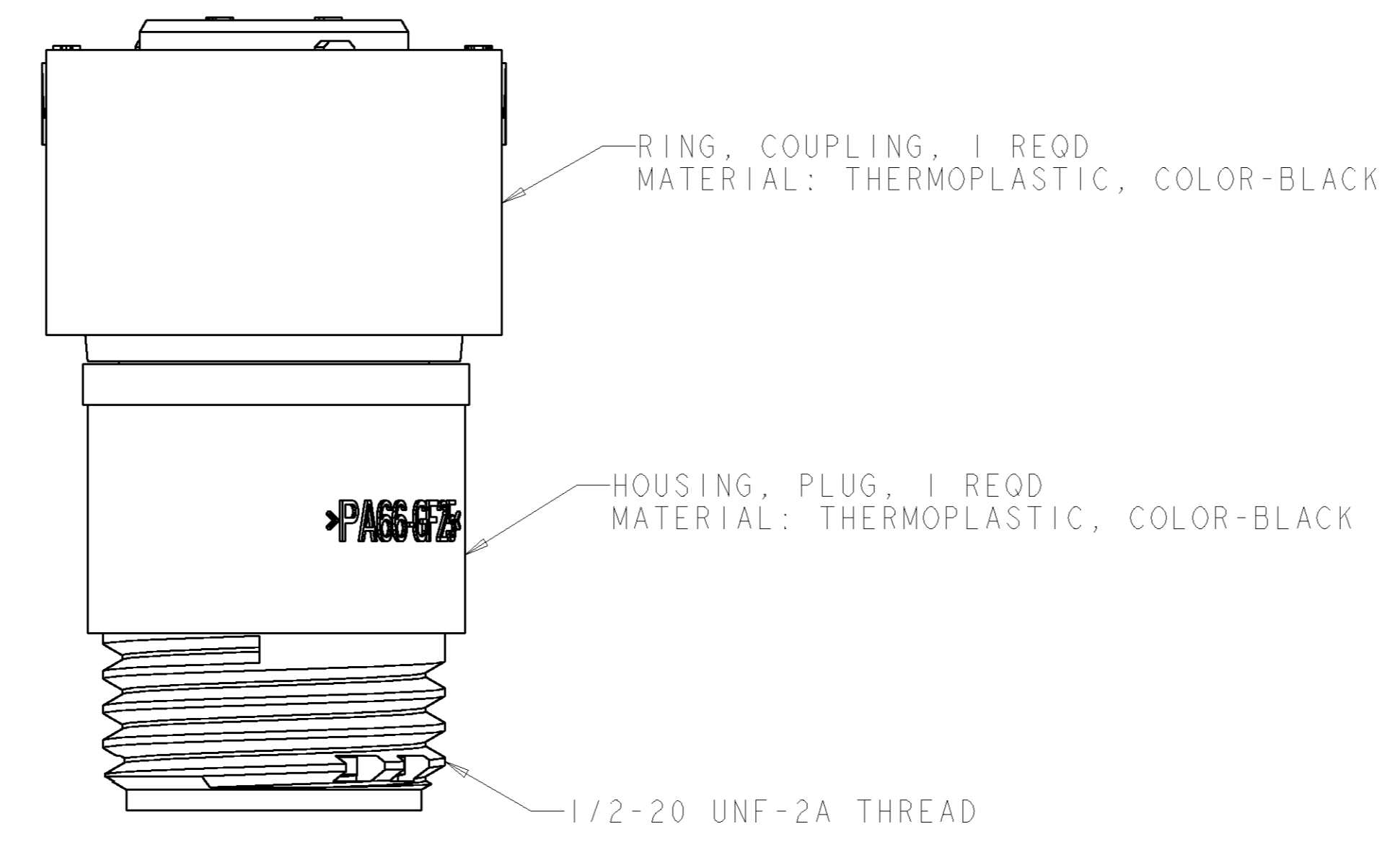
LOC	DIST	REVISIONS					
FT	0	P.	LTR	DESCRIPTION	DATE	DWN	APVD
		A		RELEASED EC 0638-0326-03	12JUN2003	SW	HW
		B		REVISED EC 0638-0390-04	24MAY2004	SW	HW



RETAINER, SEAL, 1 REQD.  
 MATERIAL: THERMOPLASTIC, COLOR-BLACK



SEAL, WIRE ENTRY, 1 REQD  
 MATERIAL: ELASTOMER, COLOR-SEE TABLE



**QUALIFICATION TEST PENDING**

YELLOW	Ø0.75	130°	1445535-04
NATURAL	Ø1.5	115°	1445535-03
NATURAL	Ø1.5	130°	1445535-02
YELLOW	Ø0.75	115°	1445535-01
SEAL, WIRE ENTRY COLOR	ØX REF	K REF	PART NUMBER

<small>THIS DRAWING IS UNPUBLISHED. RELEASED FOR PUBLICATION. THIS IS SUBJECT TO CHANGE. THE CUSTOMER AND CONTRACTING ORGANIZATION SHALL BE CONTACTED FOR THE LATEST VERSION.</small>		DWN: S. WIEST 07MAY2001 CHK: G. DOUZY 07MAY2001 APVD: H. WAKEEM 12JUN2003	<b>Tyco Electronics</b> Tyco Electronics Harrisburg, PA 17105-3608
DIMENSIONS: mm 	TOLERANCES UNLESS OTHERWISE SPECIFIED: 0 PLC ±.5 1 PLC ±0.13 2 PLC ±0.13 3 PLC ±0.001 4 PLC ±0.001 ANGLES ±.1	NAME: ASSEMBLY, PLUG, SIZE 8, 2 POSITION, SEALED, MINI CPC PRODUCT SPEC: - APPLICATION SPEC: - WEIGHT: - FINISH: SEE CALLOUT	SIZE: A1 CAGE CODE: 00779 DRAWING NO: 1445535 SCALE: 5:1 SHEET: 1 OF 1 REV: B
MATERIAL: SEE CALLOUT		CUSTOMER DRAWING	